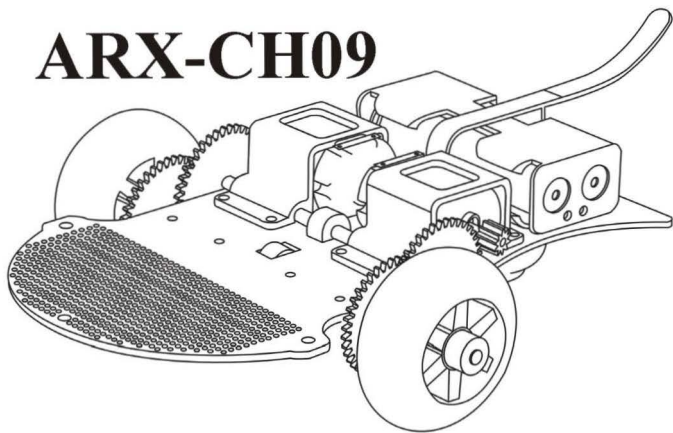




ROBOT CHASSIS

ARX-CH09



WWW.AREXX.COM

The robot chassis ARX-CH09 is a product of AREXX Engineering (The Netherlands) and JAMA (Taiwan). AREXX and JAMA are registered trademarks.

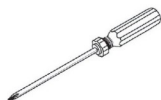
© English translation (April 2009): AREXX Engineering (NL). All rights reserved.
Reprinting any of this instruction manual without our permission is prohibited.

The specifications, form, and contents of this product and manual are subject to change without prior notice.
We are not liable for disadvantage or damage caused by improper use or assembly.

Tool and Parts list Robot Chassis

Necessary tools:

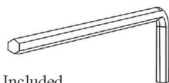
Phillips screwdriver



Flatnose or snipnose plier



Hex key



Included

Always check if all parts are present with the help of the parts list below, before you start with the assembly.

Screw



◦ M2 x 8
12 Pcs.

Nut



◦ M2
12 Pcs.

Screw



◦ M3 x 8
2 Pcs.

Nut



◦ M3
2 Pcs.

Screw



◦ M3 x 5
2 Pcs.

Collar



◦ 4 Pcs.

Hex screw



◦ 2 Pcs.

! It is possible that the hex screw already is assembled to the collar.

Flatspur gear



◦ 50 x 12
teeth
2 Pcs.

Flatspur gear



◦ 50 x 10
teeth
2 Pcs.

Pinion gear



◦ 8 teeth
2 Pcs.

Wheel



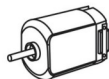
◦ Type
ASURO
2 Pcs.

Ball caster



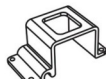
◦ Assembled
1 Pcs.

Motor



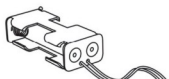
◦ 3 Volt
2 Pcs.

Motor holder



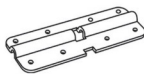
◦
2 Pcs.

Battery holder



◦
1 Pcs.

Shaft holder



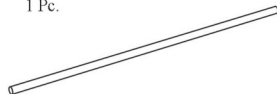
◦
1 Pcs.

Tierap

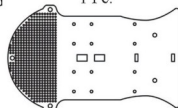


◦
1 Pcs.

◦ Shaft long Ø3 x 124mm
1 Pcs.



◦ Main PCB
1 Pcs.

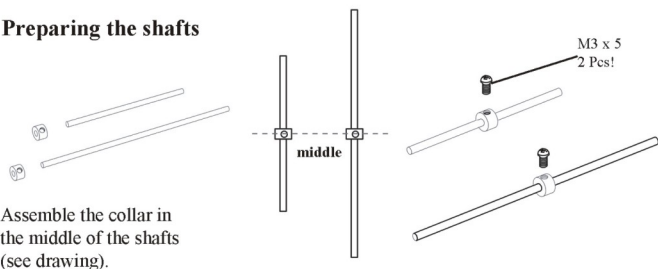


◦ Shaft short Ø3 x 78mm
1 Pcs.



Assembly Robot Chassis

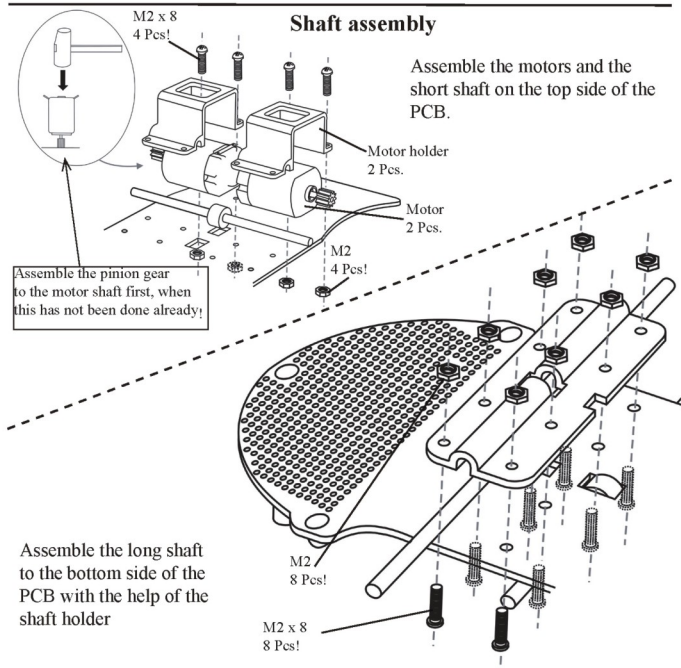
Preparing the shafts



Assemble the collar in the middle of the shafts (see drawing).

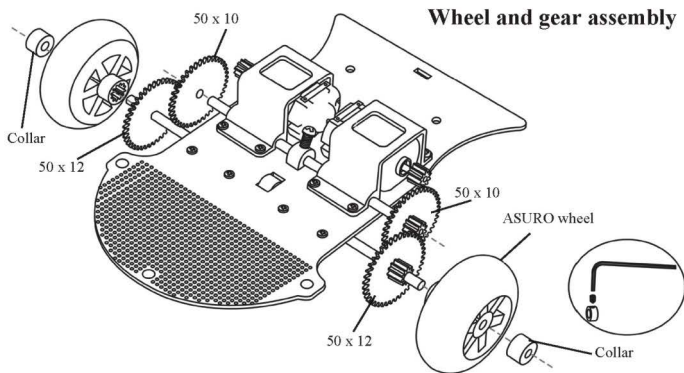
Shaft assembly

Assemble the motors and the short shaft on the top side of the PCB.

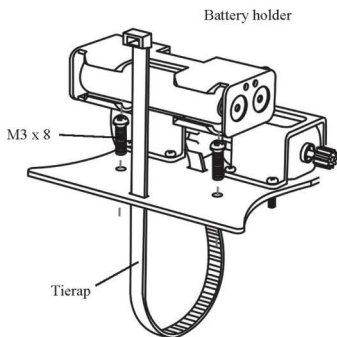


Assemble the pinion gear to the motor shaft first, when this has not been done already!

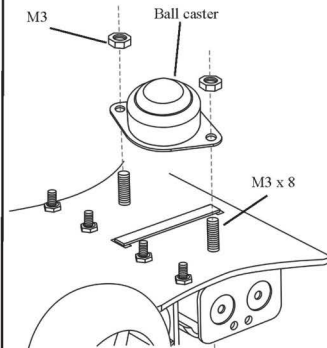
Assemble the long shaft to the bottom side of the PCB with the help of the shaft holder



Battery holder assembly



Ball caster assembly



The Robot Chassis is now ready. By studying the drawing at the front side of this manual and the pictures on the packaging, you can check if it all looks like it should look ;-)

Now the hard work begins: You have to design and build the electronics to make the robot rolling.

Good luck and a lot of fun!

www.Robot-kit.ru