



SR2020 THRU SR20100 20 A Schottky Barrier Rectifiers

**Voltage Range 20 to 100 Volts
Current 20.0 Amperes**

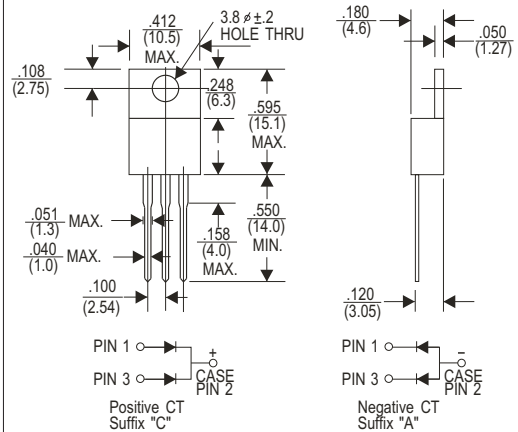
Features

- * Low forward voltage drop
- * High current capability
- * High reliability
- * High surge current capability
- * Epitaxial construction

Mechanical Data

- * Case: Molded plastic
- * Epoxy: UL 94V-0 rate flame retardant
- * Lead: Axial leads, solderable per MIL-STD-202, method 208 guaranteed
- * Polarity: Color band denotes cathode end
- * Mounting position: Any
- * Weight: 2.24 grams

TO-220



Dimensions in inches and (millimeters)

Maximum Ratings and Electrical Characteristics

Rating at 25°C ambient temperature unless otherwise specified Single phase, half wave, 60 Hz, resistive or inductive load. For capacitive load, derate current by 20%

Type Number	SR2020	SR2030	SR2040	SR2050	SR2060	SR2080	SR20100	Units
Maximum Recurrent Peak Reverse Voltage	20	30	40	50	60	80	100	v
Maximum RMS Voltage	14	21	28	35	42	56	70	v
Maximum DC Blocking Voltage	20	30	40	50	60	80	100	v
Maximum Average Forward Rectified Current See Fig. 1	20							A
Peak Forward Surge Current, 8.3 ms Single Half Sinewave - Superimposed on Rated Load method (JEDEC)	150				125			A
Maximum Instantaneous Forward Voltage At 10.0A	0.60		0.75		0.90			V
Maximum D.C. Reverse Current @ T _A =25°C	1.0							mA
At Rated DC Blocking Voltage @ T _A =100°C	100							mA
Typical Junction Capacitance (Note 1)	700		460		280			pF
Typical Thermal Resistance R _{θJA} (Note 2)	3.0							°C/W
Operating Junction Temperature Range T _J	-50+125							°C
Storage Temperature Range T _{STG}	-65+150							°C

Notes:

1. Measured at 1MHz and applied reverse voltage of 4.0Volts D.C.
2. Thermal Resistance Junction to Case

[Http://www.upm.com.tw](http://www.upm.com.tw)

E - mail: upm.tw@msa.hinet.net



SR2020 THRU SR20100

20 A Schottky Barrier Rectifiers

Voltage Range 20 to 100 Volts
Current 20.0 Amperes

RATING AND CHARACTERISTIC CURVES (SR2020 THRU SR20100)

FIG.1-TYPICAL FORWARD CURRENT DERATING CURVE

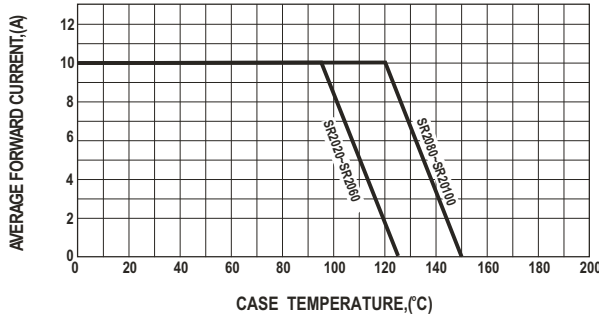


FIG.2-TYPICAL FORWARD CHARACTERISTICS

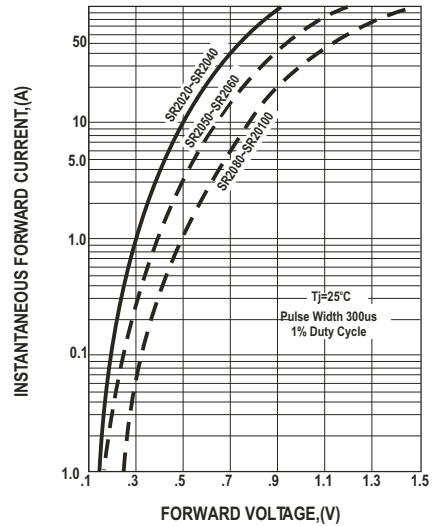


FIG.3-MAXIMUM NON-REPETITIVE FORWARD SURGE CURRENT

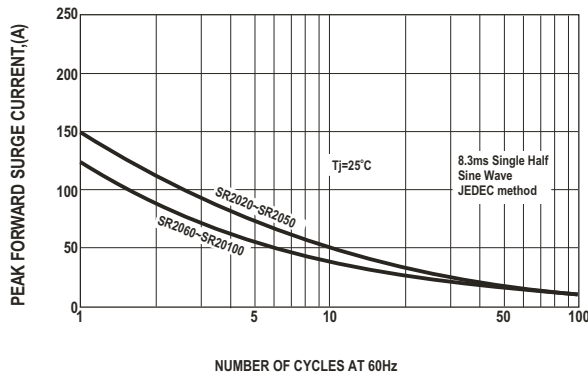


FIG.5 - TYPICAL REVERSE CHARACTERISTICS

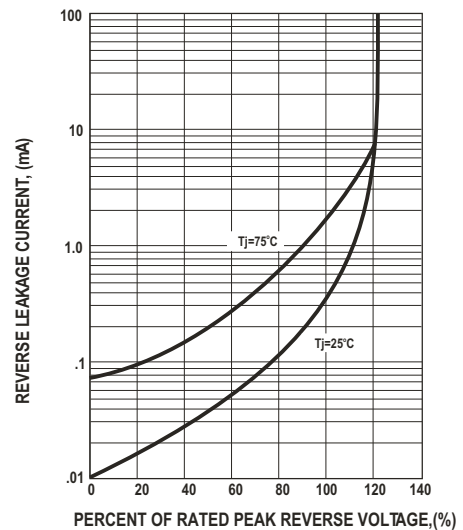


FIG.4-TYPICAL JUNCTION CAPACITANCE

