

LOW POWER DUAL VOLTAGE COMPARATORS

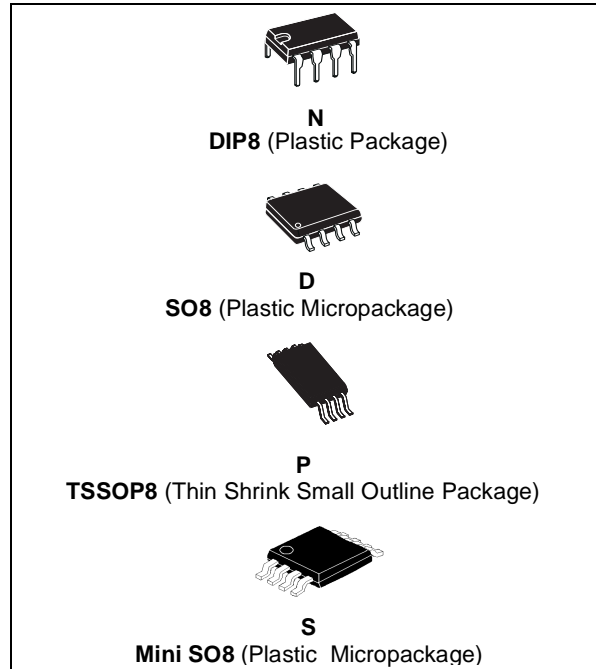
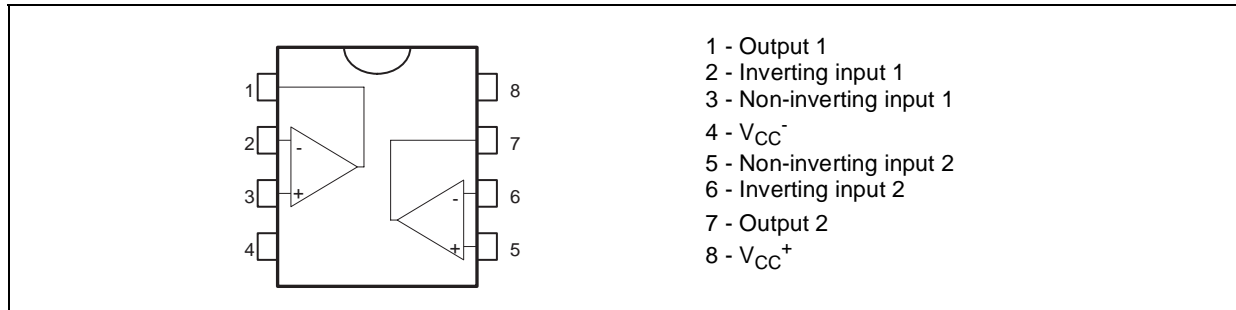
- WIDE SINGLE SUPPLY VOLTAGE RANGE OR DUAL SUPPLIES : +2V TO +36V OR ±1V TO ±18V
- VERY LOW SUPPLY CURRENT (0.4mA) INDEPENDENT OF SUPPLY VOLTAGE (1mW/comparator at +5V)
- LOW INPUT BIAS CURRENT : 25nA TYP
- LOW INPUT OFFSET CURRENT : ±5nA TYP
- LOW INPUT OFFSET VOLTAGE : ±1mV TYP
- INPUT COMMON-MODE VOLTAGE RANGE INCLUDES GROUND
- LOW OUTPUT SATURATION VOLTAGE : 250mV TYP. ($I_o = 4mA$)
- DIFFERENTIAL INPUT VOLTAGE RANGE EQUAL TO THE SUPPLY VOLTAGE
- TTL, DTL, ECL, MOS, CMOS COMPATIBLE OUTPUTS

DESCRIPTION

These devices consist of two independent low voltage comparators designed specifically to operate from a single supply over a wide range of voltages. Operation from split power supplies is also possible.

These comparators also have a unique characteristic in that the input common-mode voltage range includes ground even though operated from a single power supply voltage.

PIN CONNECTIONS (top view)



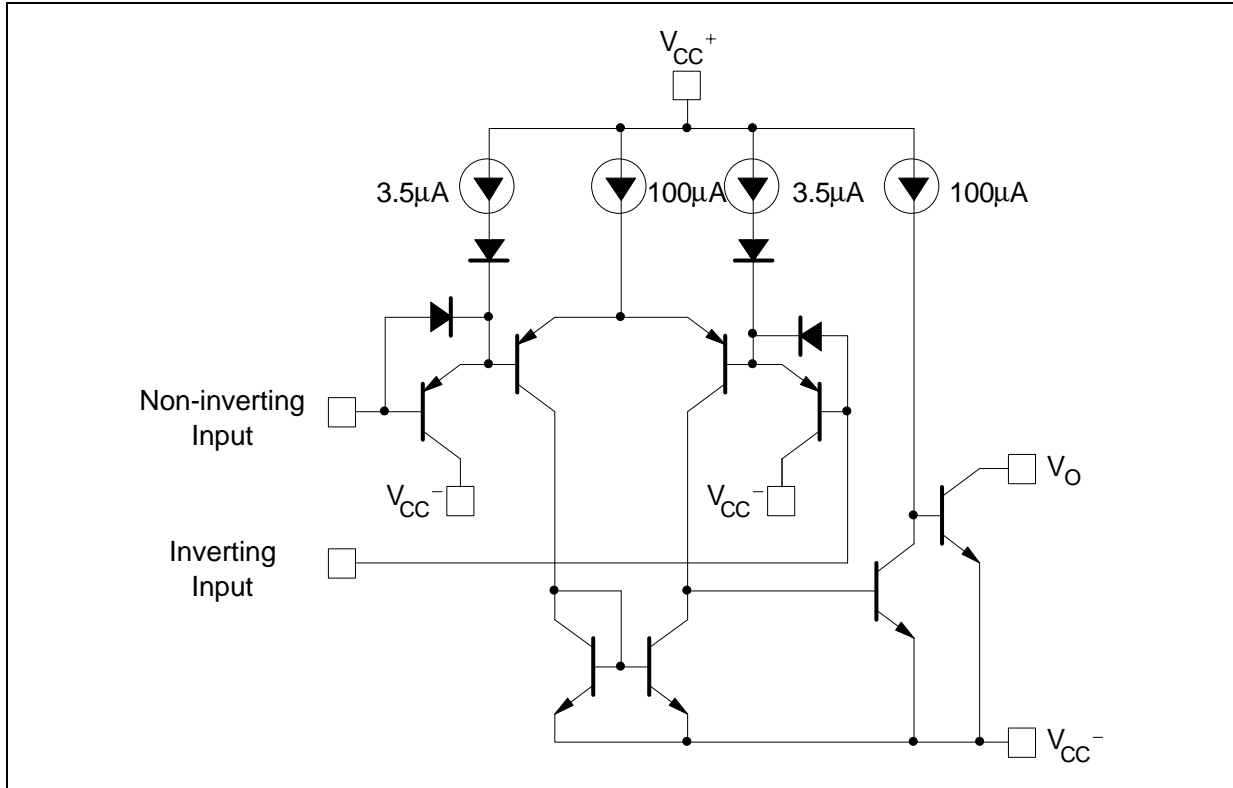
ORDER CODE

Part Number	Temperature Range	Package			
		N	D	P	S
LM193	-55°C, +125°C	•	•	•	•
LM293	-40°C, +105°C	•	•	•	•
LM393	0°C, +70°C	•	•	•	•

Example : LM393D

N = Dual in Line Package (DIP)
D = Small Outline Package (SO) - also available in Tape & Reel (DT)
P = Thin Shrink Small Outline Package (TSSOP) - only available in Tape & Reel (PT)
S = MiniSO Package (MiniSO) only available in Tape & Reel (ST)

SCHEMATIC DIAGRAM (1/2 LM193)



ABSOLUTE MAXIMUM RATINGS

Symbol	Parameter	Value	Unit
V_{CC}	Supply voltage	± 18 or 36	V
V_{id}	Differential Input Voltage	± 36	V
V_i	Input Voltage	-0.3 to +36	V
	Output Short-circuit to Ground - note 1)	Infinite	
P_d	Power Dissipation 2) DIP8 SO8 TSSOP8 Mini SO8	1250 710 625 580	mW
T_{stg}	Storage Temperature Range	-65 to +150	°C

- Short-circuits from the output to V_{CC}^+ can cause excessive heating and eventual destruction. The maximum output current is approximately 20mA independent of the magnitude of V_{CC}^+ .
- P_d is calculated with $T_{amb} = +25^\circ\text{C}$, $T_j = +150^\circ\text{C}$ and $R_{thja} = 100^\circ\text{C/W}$ for DIP8 package
 $= 175^\circ\text{C/W}$ for SO8 package
 $= 200^\circ\text{C/W}$ for TSSOP8 package
 $= 215^\circ\text{C/W}$ for Mini SO8 package

OPERATING CONDITIONS

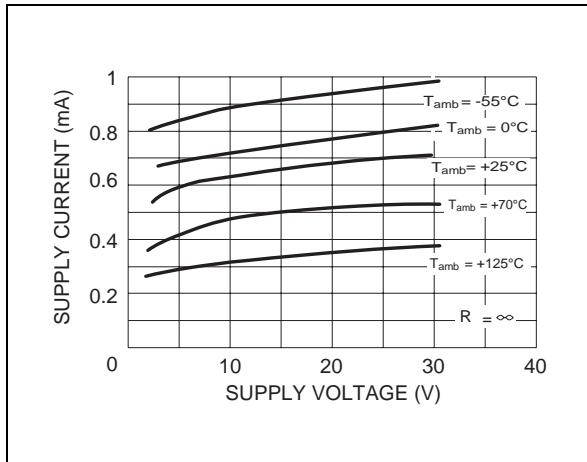
Symbol	Parameter	Value	Unit
V_{icm}	Common Mode Input Voltage Range	0 to $V_{CC}^+ - 1.5$	V
T_{oper}	Operating Free-Air Temperature range LM193 LM293 LM393	-55 to +125 -40 to +125 0 to +70	°C

ELECTRICAL CHARACTERISTICS $V_{CC}^+ = +5V$, $V_{CC}^- = 0V$, $T_{amb} = +25^\circ C$ (unless otherwise specified)

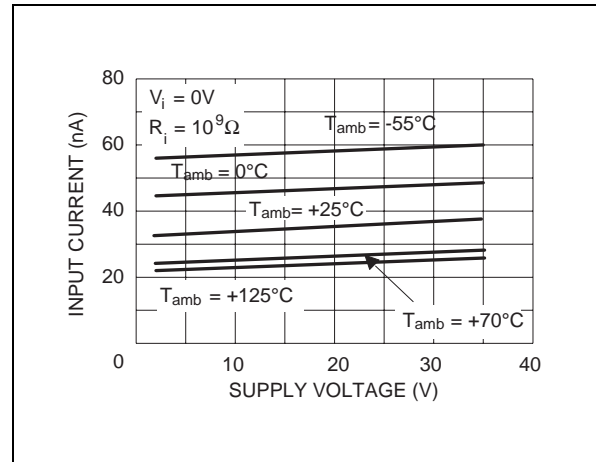
Symbol	Parameter	Min	Typ.	Max.	Unit
V_{io}	Input Offset Voltage - note ¹⁾ $T_{amb} = +25^\circ C$ $T_{min} \leq T_{amb} \leq T_{max}$		1	5 9	mV
I_{ib}	Input Bias Current - note ²⁾ $T_{amb} = +25^\circ C$ $T_{min} \leq T_{amb} \leq T_{max}$		25	250 400	nA
I_{io}	Input Offset Current $T_{amb} = +25^\circ C$ $T_{min} \leq T_{amb} \leq T_{max}$		5	50 150	nA
A_{vd}	Large Signal Voltage Gain $V_{CC} = 15V$, $R_L = 15k\Omega$, $V_o = 1V$ to $11V$	50	200		V/mV
I_{CC}	Supply Current (all comparators) $V_{CC} = 5V$, no load $V_{CC} = 30V$, no load		0.4 1	1 2.5	mA
V_{icm}	Input Common Mode Voltage Range - note ³⁾ $T_{amb} = +25^\circ C$ $T_{min} \leq T_{amb} \leq T_{max}$	0 0		$V_{CC}^+ - 1.5$ $V_{CC}^+ - 2$	V
V_{id}	Differential Input Voltage -note ⁴⁾			V_{CC}^+	V
I_{sink}	Output Sink Current $V_{id} = 1V$, $V_o = 1.5V$	6	16		mA
V_{OL}	Low Level Output Voltage $V_{id} = -1V$, $I_{sink} = 4mA$ $T_{amb} = +25^\circ C$ $T_{min} \leq T_{amb} \leq T_{max}$		250	400 700	mV
I_{OH}	High Level Output Current ($V_{id} = 1V$) $V_{id} = 1V$, $V_{CC} = V_o = 30V$ $T_{amb} = +25^\circ C$ $T_{min} \leq T_{amb} \leq T_{max}$		0.1	1	nA μA
t_{re}	Response Time - note ⁵⁾ $R_L = 5.1k\Omega$ to V_{CC}^+		1.3		μs
t_{rel}	Large Signal Response Time $V_i = TTL$, $V_{(ref)} = +1.4V$, $R_L = 5.1k\Omega$ to V_{CC}^+		300		ns

- At output switch point, $V_o \approx 1.4V$, $R_s = 0$ with V_{CC}^+ from 5V to 30V, and over the full common-mode range (0V to $V_{CC}^+ - 1.5V$).
- The direction of the input current is out of the IC due to the PNP input stage. This current is essentially constant, independent of the state of the output, so no loading charge exists on the reference of input lines.
- The input common-mode voltage of either input signal voltage should not be allowed to go negative by more than 0.3V. The upper end of the common-mode voltage range is $V_{CC}^+ - 1.5V$, but either or both inputs can go to +30V without damage
- Positive excursions of input voltage may exceed the power supply level. As long as the other voltage remains within the common-mode range, the comparator will provide a proper output state. The low input voltage state must not be less than -0.3V (or 0.3V below the negative power supply, if used).
- The response time specified is for a 100mV input step with 5mV overdrive. For larger overdrive signals 300ns can be obtained

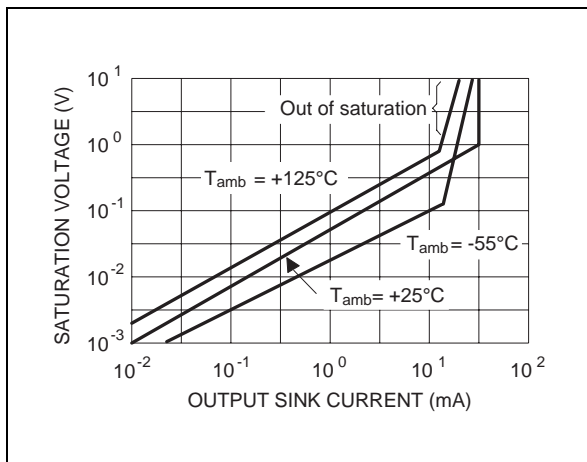
SUPPLY CURRENT versus SUPPLY VOLTAGE



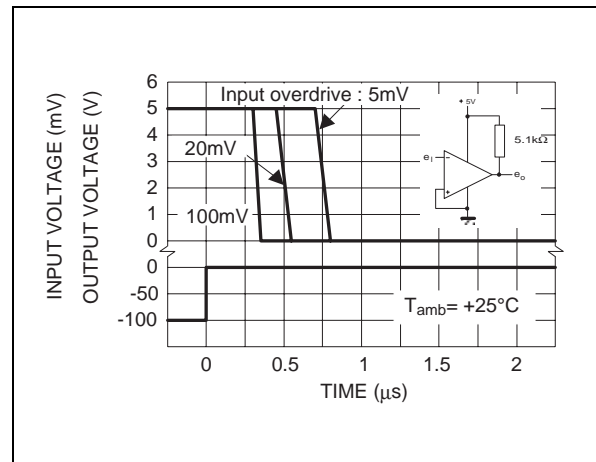
INPUT CURRENT versus SUPPLY VOLTAGE



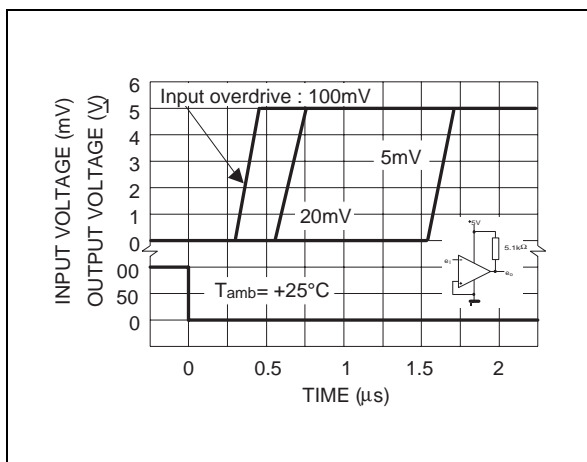
OUTPUT SATURATION VOLTAGE versus OUTPUT CURRENT



RESPONSE TIME FOR VARIOUS INPUT OVERDRIVES - NEGATIVE TRANSITION

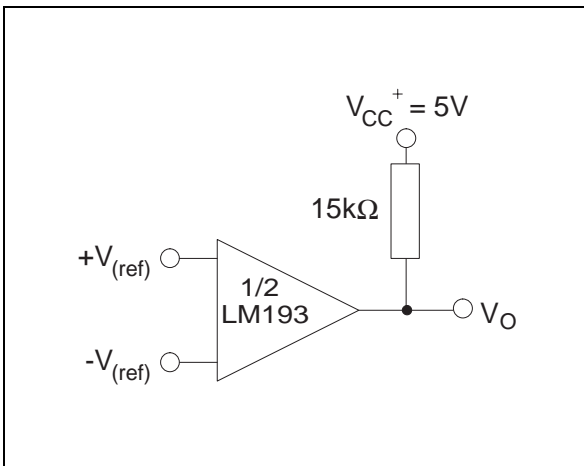


RESPONSE TIME FOR VARIOUS INPUT OVERDRIVES - POSITIVE TRANSITION

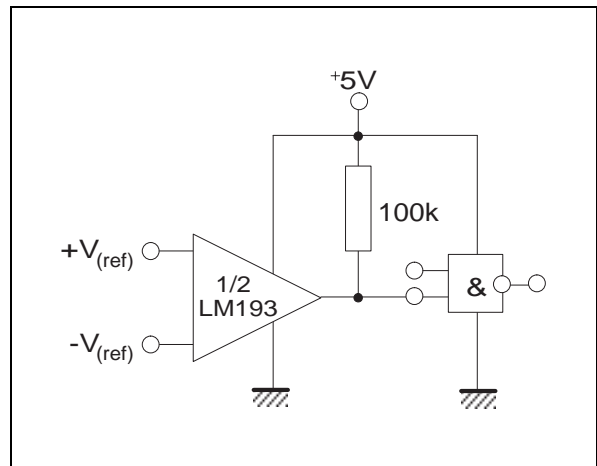


TYPICAL APPLICATIONS

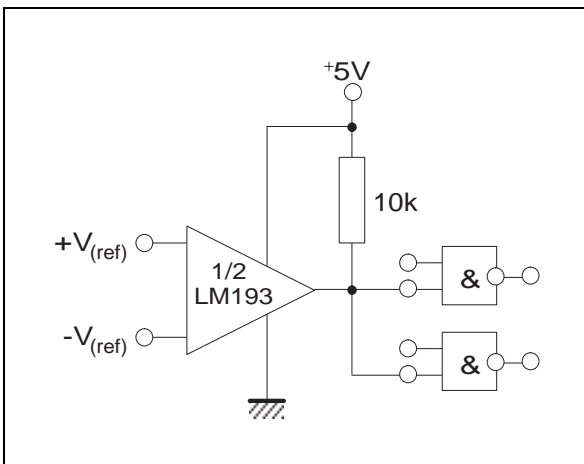
BASIC COMPARATOR



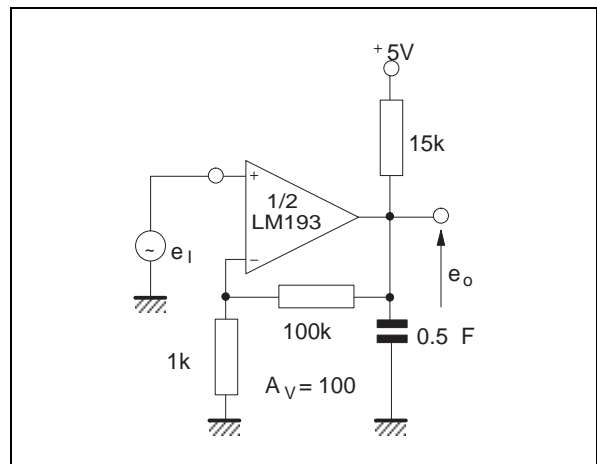
DRIVING CMOS



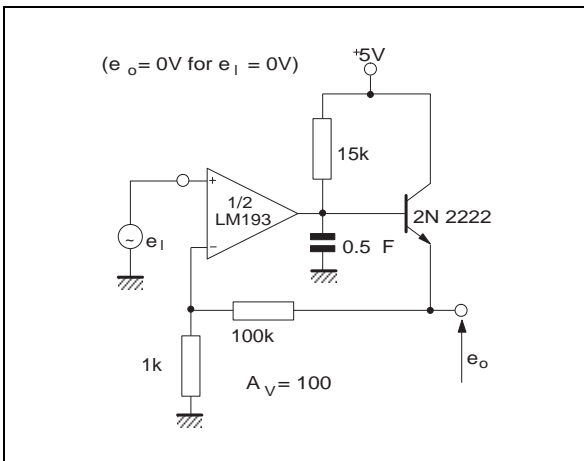
DRIVING TTL



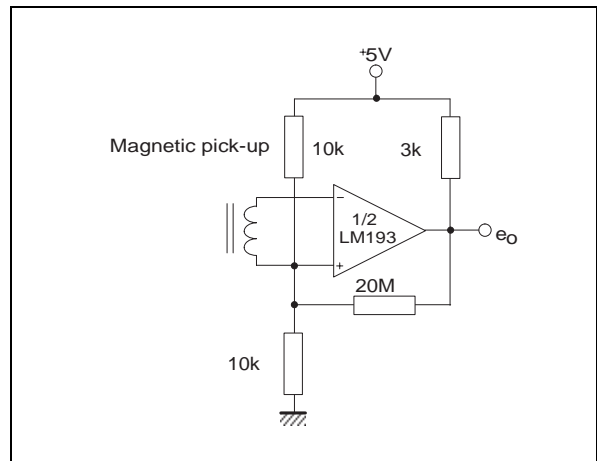
LOW FREQUENCY OP AMP



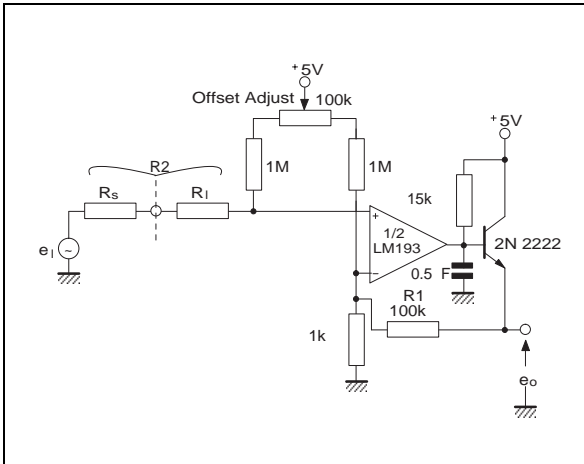
LOW FREQUENCY OP AMP



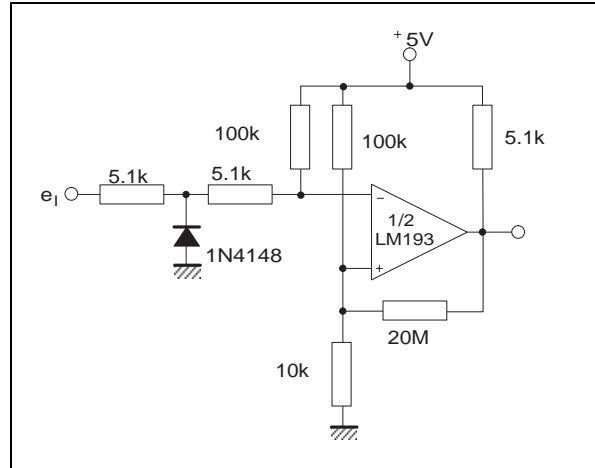
TRANSDUCER AMPLIFIER



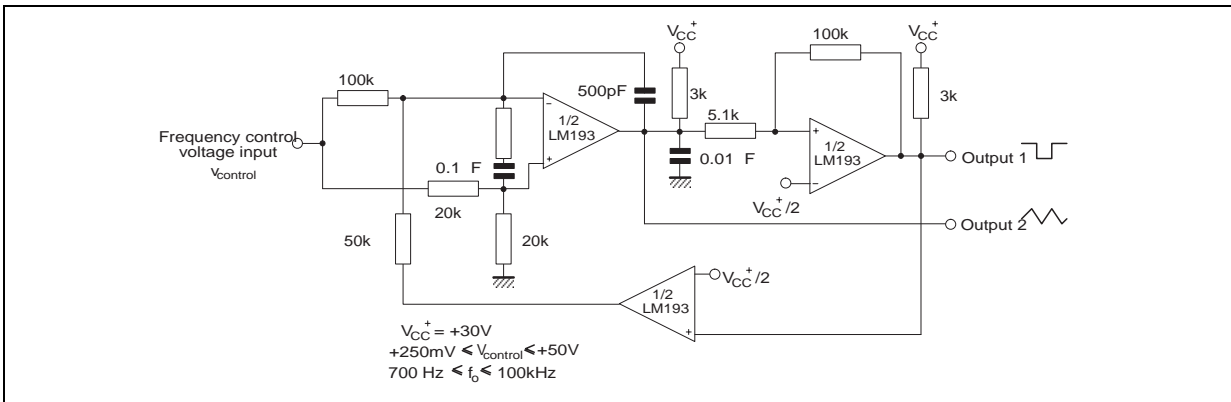
LOW FREQUENCY OP AMP WITH OFFSET ADJUST



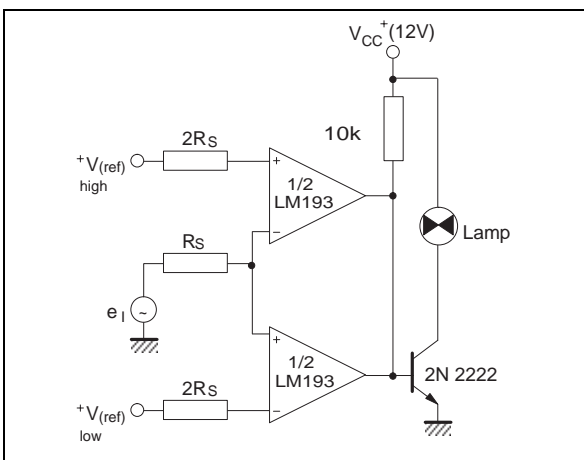
ZERO CROSSING DETECTOR (single power supply)



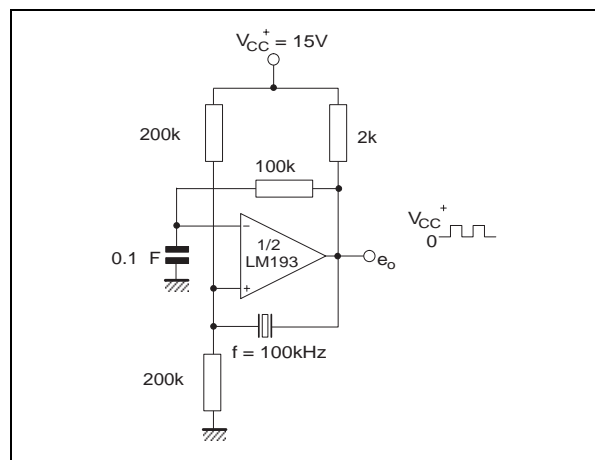
TWO-DECADE HIGH-FREQUENCY VCO

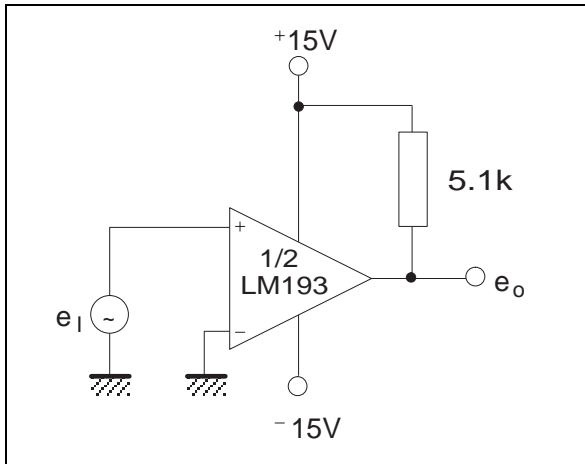
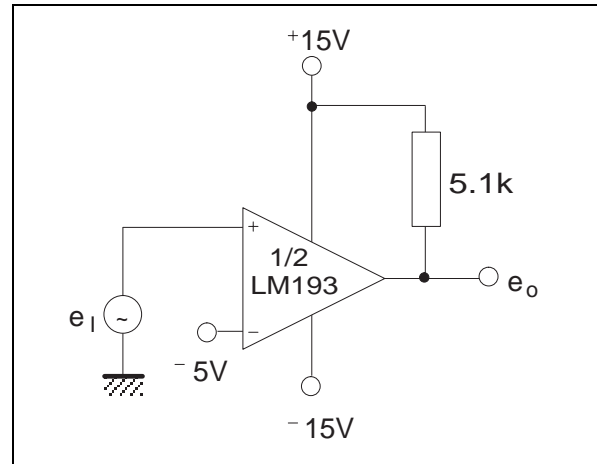


LIMIT COMPARATOR

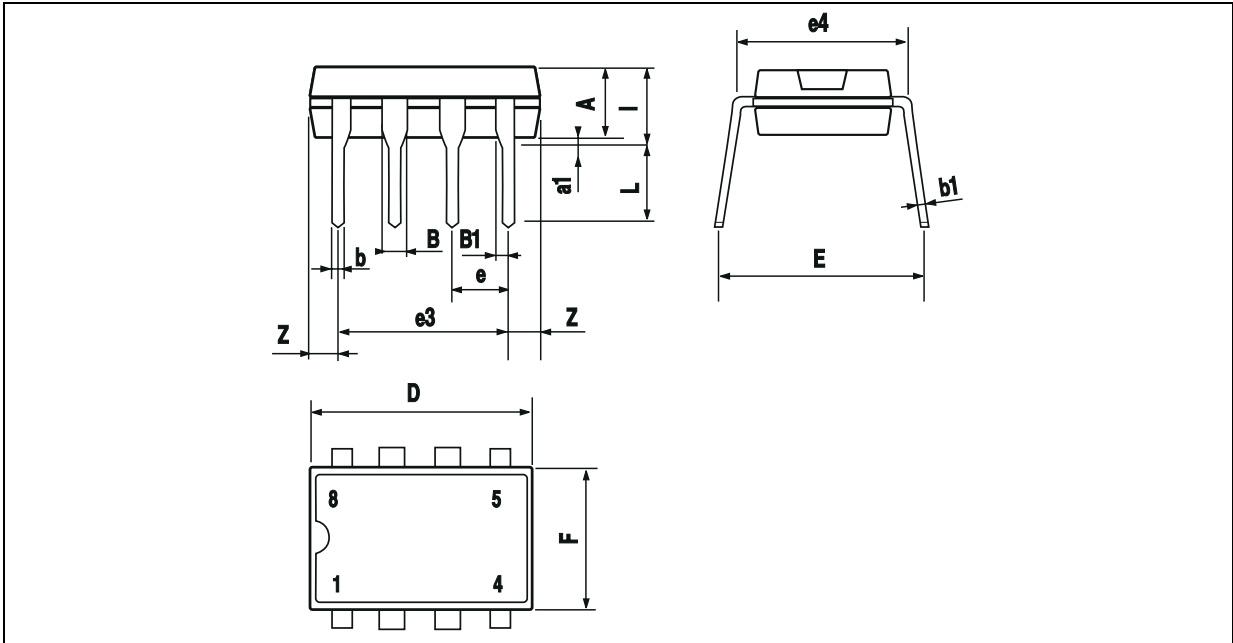


CRYSTAL CONTROLLED OSCILLATOR



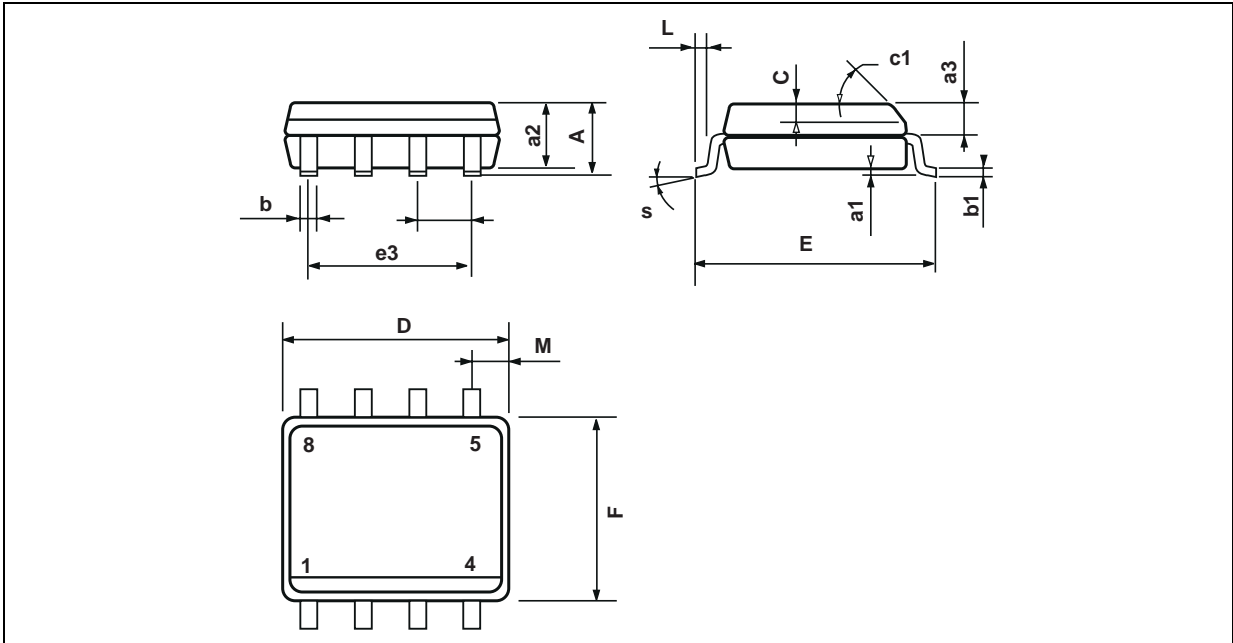
SPLIT-SUPPLY APPLICATIONS**ZERO CROSSING DETECTOR****COMPARATOR WITH A NEGATIVE REFERENCE**

PACKAGE MECHANICAL DATA
8 PINS - PLASTIC DIP



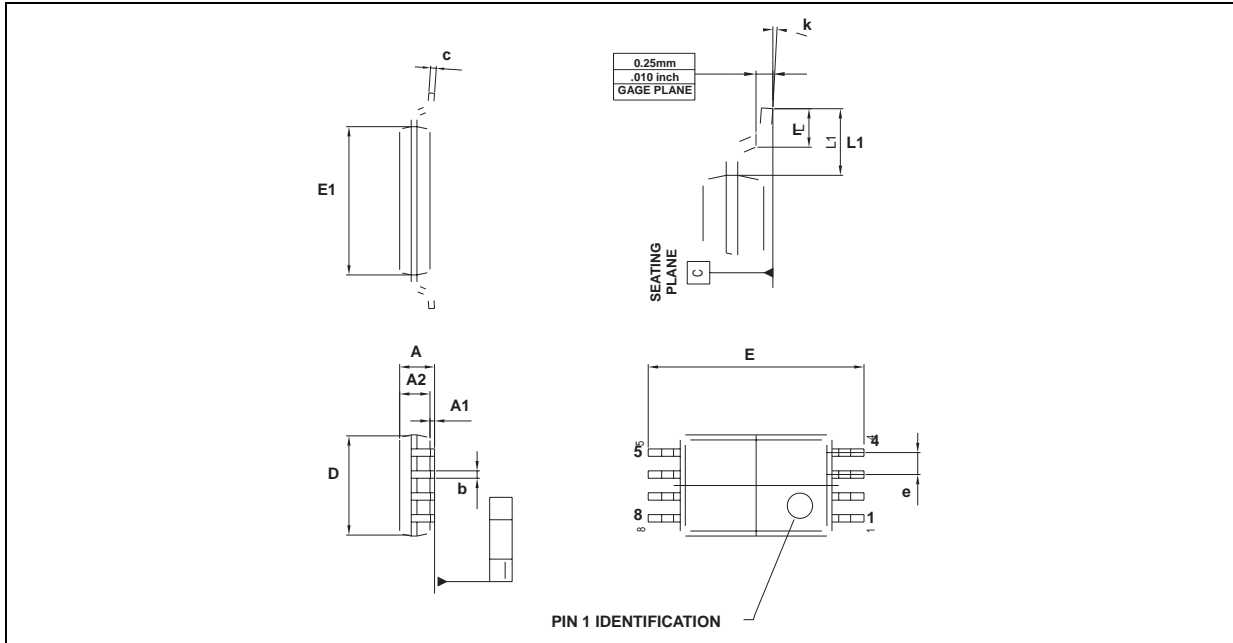
Dimensions	Millimeters			Inches		
	Min.	Typ.	Max.	Min.	Typ.	Max.
A		3.32			0.131	
a1	0.51			0.020		
B	1.15		1.65	0.045		0.065
b	0.356		0.55	0.014		0.022
b1	0.204		0.304	0.008		0.012
D			10.92			0.430
E	7.95		9.75	0.313		0.384
e		2.54			0.100	
e3		7.62			0.300	
e4		7.62			0.300	
F			6.6			0.260
i			5.08			0.200
L	3.18		3.81	0.125		0.150
Z			1.52			0.060

PACKAGE MECHANICAL DATA
8 PINS - PLASTIC MICROPACKAGE (SO)



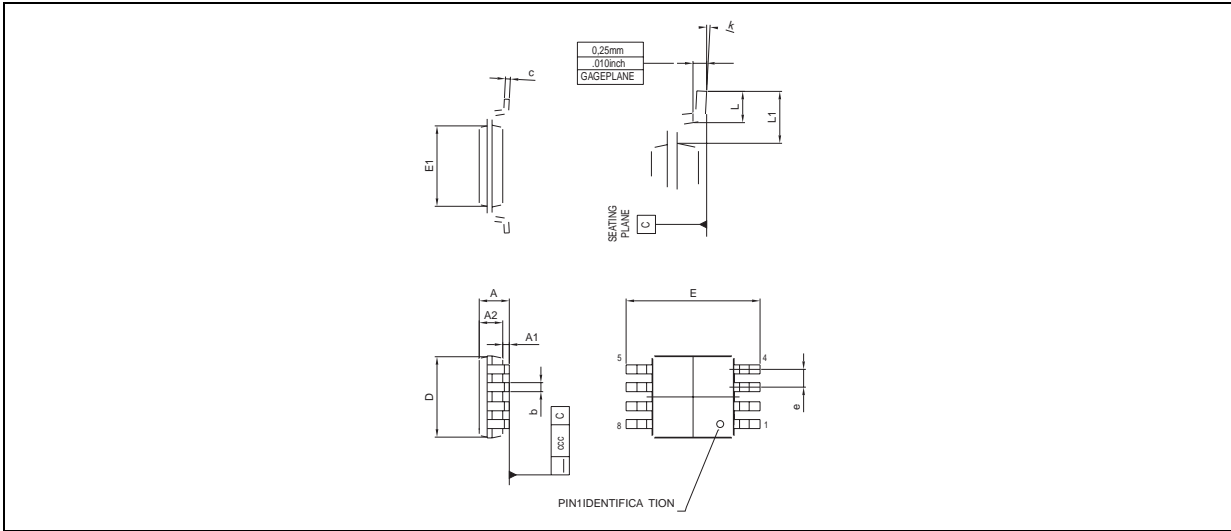
Dimensions	Millimeters			Inches		
	Min.	Typ.	Max.	Min.	Typ.	Max.
A			1.75			0.069
a1	0.1		0.25	0.004		0.010
a2			1.65			0.065
a3	0.65		0.85	0.026		0.033
b	0.35		0.48	0.014		0.019
b1	0.19		0.25	0.007		0.010
C	0.25		0.5	0.010		0.020
c1	45° (typ.)					
D	4.8		5.0	0.189		0.197
E	5.8		6.2	0.228		0.244
e		1.27			0.050	
e3		3.81			0.150	
F	3.8		4.0	0.150		0.157
L	0.4		1.27	0.016		0.050
M			0.6			0.024
S	8° (max.)					

PACKAGE MECHANICAL DATA
8 PINS - THIN SHRINK SMALL OUTLINE PACKAGE



Dimensions	Millimeters			Inches		
	Min.	Typ.	Max.	Min.	Typ.	Max.
A			1.20			0.05
A1	0.05		0.15	0.01		0.006
A2	0.80	1.00	1.05	0.031	0.039	0.041
b	0.19		0.30	0.007		0.15
c	0.09		0.20	0.003		0.012
D	2.90	3.00	3.10	0.114	0.118	0.122
E		6.40			0.252	
E1	4.30	4.40	4.50	0.169	0.173	0.177
e		0.65			0.025	
k	0°		8°	0°		8°
l	0.50	0.60	0.75	0.09	0.0236	0.030
L	0.45	0.600	0.75	0.018	0.024	0.030
L1		1.000			0.039	

PACKAGE MECHANICAL DATA
 8 PINS - PLASTIC MICROPACKAGE (miniSO)



Dimensions	Millimeters			Inches		
	Min.	Typ.	Max.	Min.	Typ.	Max.
A			1.100			0.043
A1	0.050	0.100	0.150	0.002	0.004	0.006
A2	0.780	0.860	0.940	0.031	0.034	0.037
b	0.250	0.330	0.400	0.010	0.013	0.016
c	0.130	0.180	0.230	0.005	0.007	0.009
D	2.900	3.000	3.100	0.114	0.118	0.122
E	4.750	4.900	5.050	0.187	0.193	0.199
E1	2.900	3.000	3.100	0.114	0.118	0.122
e		0.650			0.026	
L	0.400	0.550	0.700	0.016	0.022	0.028
L1		0.950			0.037	
k	0d	3d	6d	0d	3d	6d
aaa			0.100			0.004

Information furnished is believed to be accurate and reliable. However, STMicroelectronics assumes no responsibility for the consequences of use of such information nor for any infringement of patents or other rights of third parties which may result from its use. No license is granted by implication or otherwise under any patent or patent rights of STMicroelectronics. Specifications mentioned in this publication are subject to change without notice. This publication supersedes and replaces all information previously supplied. STMicroelectronics products are not authorized for use as critical components in life support devices or systems without express written approval of STMicroelectronics.

© The ST logo is a registered trademark of STMicroelectronics

© 2002 STMicroelectronics - Printed in Italy - All Rights Reserved
 STMicroelectronics GROUP OF COMPANIES

Australia - Brazil - Canada - China - Finland - France - Germany - Hong Kong - India - Israel - Italy - Japan - Malaysia
 Malta - Morocco - Singapore - Spain - Sweden - Switzerland - United Kingdom - United States

© <http://www.st.com>

