

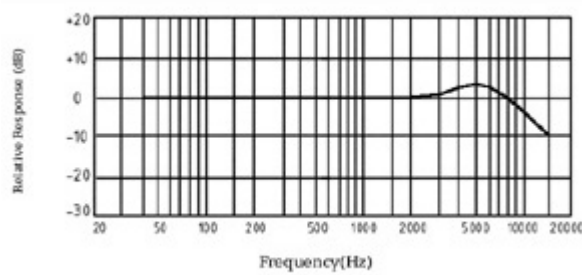


CZN-15E

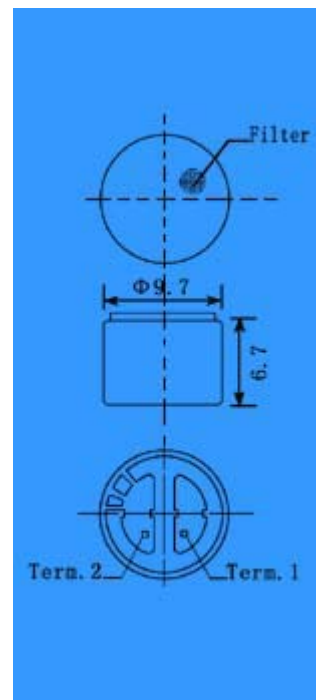
Sensitivity: $-46\pm 3\text{dB}$ $-42\pm 3\text{dB}$ $-38\pm 3\text{dB}$ $-34\pm 3\text{dB}$ (0dB=1V/pa,1KHz)

Omnidirectional Electret Condenser Microphone CZN-15E

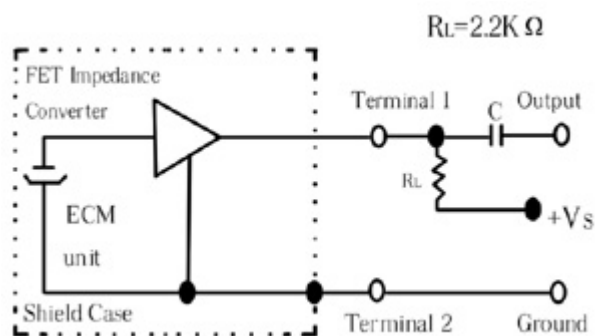
Typical Frequency Response Curve



Dimensional Drawing



Schematic Diagram



Specification

Sensitivity: $-46\pm 3\text{dB}$ $-42\pm 3\text{dB}$ $-38\pm 3\text{dB}$ $-34\pm 3\text{dB}$ (0dB=1V/pa,1KHz)
 Impedance: Low impedance
 Directivity: Omnidirectional
 Frequency: 20-16,000Hz
 Voltage range: 1.5V-10V
 Standard operation voltage: 4.5V
 Current consumption: Max.0.5mA
 Sensitivity reduction: Within -3dB at 3V
 S/N ratio: More than 60dB

NINGBO YUELONG ELECTRONICS CO.,LTD [HTTP://WWW.NBYUELONG.CN](http://www.nbyuelong.cn)

ADD:No.9 Hongda Road HongTang Industry A Zone Ningbo, Zhejiang, China
 Tel:+86-574-83022200 Fax:+86-574-83022210